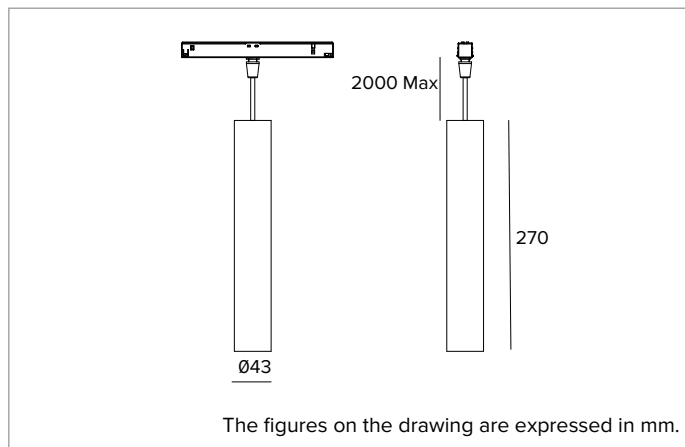


# 1T9930DA | FORTYEIGHT Label 4 - Suspension

## Professional low voltage LED fixture for direct lighting



	2700K	H(m)	D(m)	Emax(lx)
	Ra90		27°	
Fixture Power	7W	1	0.48	2608
Source Flux	920lm	2	0.95	652
Fixture Flux	657lm	3	1.43	290
Efficacy	93lm/W	4	1.91	163
TS1967	Imax=2835cd/klm	Imax	2608cd	5
			2.38	104



### SOURCE

High efficiency Chip on Board LED Ra90. 3500K on request.

**Energy efficiency class:** E

**Nominal power:** 6,5W

**Nominal flux:** 920lm

**Colour rendering index:** 90

**Rf:** 92

**Rg:** 99

**CCT nominal:** 2700K

**SDCM:** 1.5

**Lifetime (L80/B10):** >50000h tq +25°C

### ILLUMINOTECHNICAL CHARACTERISTICS

FL Version - metallised polycarbonate precision optics, a holographic diffusion filter and a black silicone cut off ring.

**Optic:** REFLECTOR

**Beam angles:** FL

**Optical efficiency:** 71%

**Fixture flux:** 657lm

**Luminous efficacy:** 93lm/W

**Photobiological safety:** Compliant with RG1 low risk group

### MECHANICAL CHARACTERISTICS

Cylindrical body in CNC machined aluminum and coated with powder paint.

**Colour and finish:** Deep black

**Dimensions:** D=43mm

**Weight:** 0.4Kg

**Version:** DALI

**Degree of protection:** IP20

### ELECTRICAL CHARACTERISTICS

DALI version, track power supply. Casambi control system available using a dedicated accessory.

**Fixture Power:** 7W

**Power supply:** 48Vdc

**Insulation Class:** CLASS 3

**Class F:** YES

**Ambient temperature:** 0°C / +25°C

### INSTALLATION

Complete with 2000mm long multicore suspension cable in coloured fabric with lenght adjustment system. Black feeding cable. Quick coupling system for mounting the product on the track.

### NOTES

Not polarized fixture. Black adapter. 110-277Vac version available on request. Commissioning of the control system via free APP; the intervention of a specialist technician can be quoted on request.

### WARRANTY

5 years.

### WARNING

Luminaire designed for disposal/recycling at end-of-life. Replaceable (LED only) light source by a professional. Replaceable control gear by a professional.

*Due to the technological evolution of the electronic components, the data provided may be updated, and as such, confirmation must be requested during the order process.*

*Luminous flux and power supply have +/-10% tolerances with respect to the indicated value. tq +25°C (CIE 121).*

*We reserve the right to make technical changes.*

Targetti Sankey S.r.l.  
Via Pratese, 164  
50145 Firenze - Italy  
Tel: +39 055 37911  
targetti.com  
targetti@targetti.com

CCIAA Firenze  
Share Capital:  
€ 500.000,00  
VAT N. (IT):  
01537660480  
R.E.A: FI-275656

**TARGETTI**